



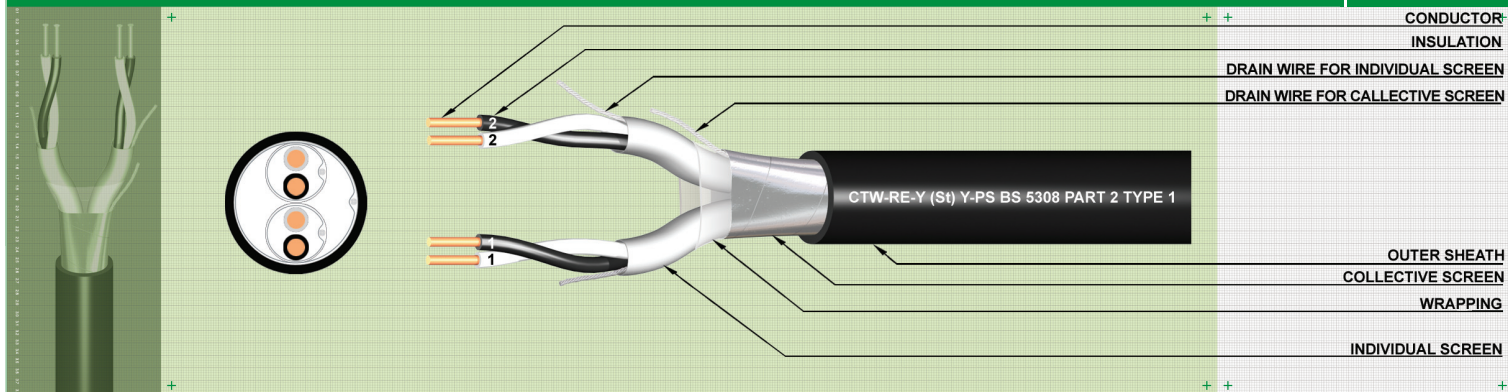
CHAROONG THAI WIRE & CABLE PUBLIC COMPANY LIMITED

CABLE TYPE : CTW-RE-Y(ST)Y-PS

Standard : BS 5308 Part 2 Type 1

: Multi pairs , PVC Insulation, Individual & Collective Screen, PVC Sheath 300/500 V

PAGE 1/2



APPLICATION

For transmission of analog and digital signals in instrument and control systems; use in zone 1 and zone 2 group II classified areas (IEC 60079 part 14). Not allowed for direct connection to low impedance source, e.g. the public mains electricity
Not recommended for direct burial. For indoor and outdoor installation in dry and wet location on racks, in conduits

CONSTRUCTION

Conductor : Plain annealed copperwire in according BS 6360
 Insulation : Polyvinyl chloride (PVC) Type TM1 in according to BS 6746
 Colour code : BLACK / WHITE with continuous print numbered on cores
 (Optional : According to BS 5038 Part 2)
 Individual Screen : Consisting of Aluminum foil in contact with Tinned-Cu drain wire 0.5 mm².
 Wrapping : At least 1 layer of polyester tape
 Collective screen : Consisting of Aluminum foil in contact with Tinned-Cu drain wire 0.5 mm².
 Outer sheath : Black polyvinyl chloride (PVC) Type TM1 in according to BS 6746

OPTIONAL REQUEST

A special FR-PVC or Low Smoke HalogenFree (LSHF)
 * Flame retardant sheath can be supplied in accordance with BS4066 part 3
 * For LSHF only : BS 6425, BS 7622, BS4066 part 3

TECHNICAL DATA

Flame retardant : BS 4066 part 1
 Temperature range : Maximum conductor operating temperature : +65°C
 Minimum ambient temperature : -40°C
 after installation and only when cable is in a fixed position
 Minimum bending radius : 6 x Cable- ϕ

ABBREVIATIONS

CTW : Trade mark
 RE : Instrumentation cable
 Y : PVC insulation
 (ST) : Aluminum foil with tinned-copper drain wire screening
 Y : PVC outer sheath
 PS : Pair screen

ELECTRICAL DATA AT 20°C

DESCRIPTION	Character	Unit	Values		
			0.5	0.75	1.5
Conductor size	nom.	mm ²	flexible	flexible	stranded
Conductor resistance	max.	Ω /km.	39.7	26.5	12.3
Insulation resistance	min.	M Ω -km.	25	25	25
Mutual capacitance at 1kHz					
One pair and two pair	max.	nF/km.	250	250	250
capacitance unbalance at 1 kHz	max.	pF/250m	400	400	400
L/R (ratio)	max.	μ H/ Ω	25	25	40
Test Voltage U_{rms} core : core		V	1,000	1,000	1,000
U_{rms} core : Screen		V	1,000	1,000	1,000
Rate voltage U_0/U	max.	V	300/500	300/500	300/500



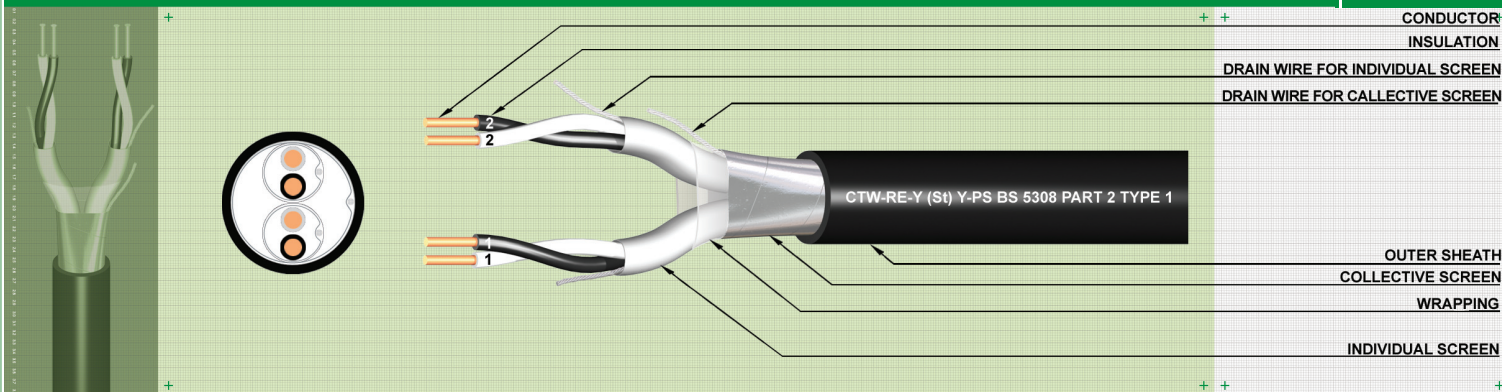
CHAROONG THAI WIRE & CABLE PUBLIC COMPANY LIMITED

CABLE TYPE : CTW-RE-Y(ST)Y-PS

Standard : BS 5308 Part 2 Type 1

: Multi pairs , PVC Insulation, Individual & Collective Screen, PVC Sheath 300/500 V

PAGE 2/2



APPLICATION

For transmission of analog and digital signals in instrument and control systems; use in zone 1 and zone 2 group II classified areas (IEC 60079 part 14). Not allowed for direct connection to low impedance source, e.g. the public mains electricity
Not recommended for direct burial. For indoor and outdoor installation in dry and wet location on racks, in conduits

Product code	Number of pairs	Nominal radial thickness of insulation m m	Nominal radial thickness of outer sheath m m	Overall diameter (approx.) m m	Cable weight (approx.) kg/km	Standard packing m/R
Conductor 0.5 sq.mm. (16/0.2mm.) Class 5						
T46280002	2	0.6	1.1	11.2	120	1,000
T46280002	5	0.6	1.2	14.6	210	1,000
T46280010	10	0.6	1.3	19.4	370	1,000
T46280015	15	0.6	1.5	22.7	540	1,000
T46280020	20	0.6	1.5	25.9	690	1,000
T46280030	30	0.6	1.7	31.2	950	1,000
T46280050	50	0.6	2.2	40.1	1,650	1,000
Conductor 0.75 sq.mm. (24/0.2mm.) class 5						
T46310002	2	0.6	1.1	12.2	165	1,000
T46310005	5	0.6	1.2	15.8	310	1,000
T46310010	10	0.6	1.3	21.1	515	1,000
T46310015	15	0.6	1.5	24.9	740	1,000
T46310020	20	0.6	1.7	28.6	960	1,000
T46310030	30	0.6	2.0	34.7	1,375	1,000
T46310050	50	0.6	2.2	43.9	2,000	1,000
Conductor 1.5 sq.mm. (7/0.53mm.) class 2						
T46200002	2	0.6	1.2	13.6	225	1,000
T46200005	5	0.6	1.3	17.8	435	1,000
T46200010	10	0.6	1.5	24.1	760	1,000
T46200015	15	0.6	1.7	28.2	1,070	1,000
T46200020	20	0.6	1.7	31.9	1,400	1,000
T46200030	30	0.6	2.0	38.8	2,015	1,000
T46200050	50	0.6	2.2	49.1	2,940	1,000