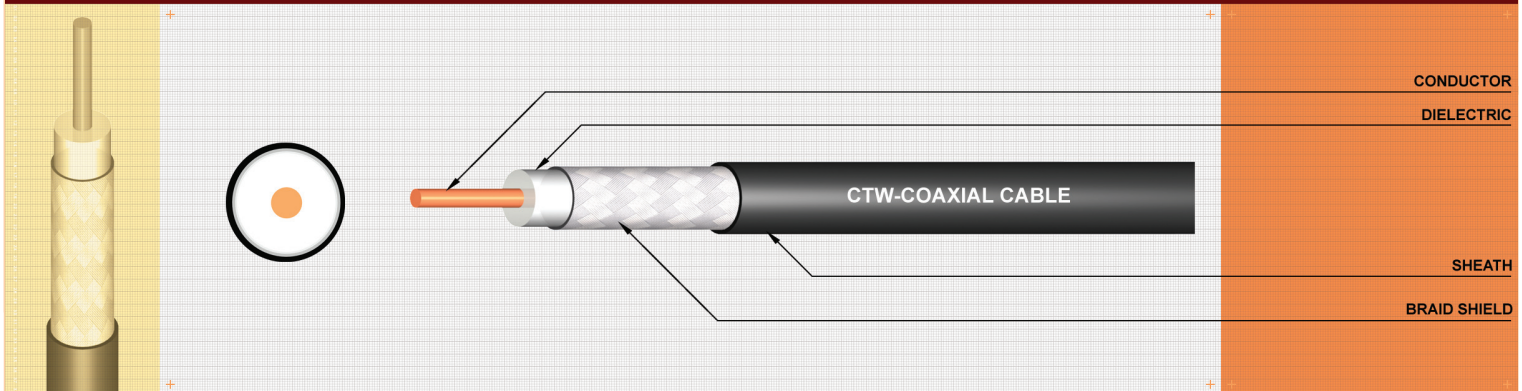




CHAROONG THAI WIRE & CABLE PUBLIC COMPANY LIMITED

CABLE TYPE : CTW - COAXIAL CABLE, JIS STANDARD



CONSTRUCTION		APPLICATION	PACKAGING
Conductor	Bare copper center conductor;	<ul style="list-style-type: none"> - telecommunications - radio / television - video systems - medical devices, scanners, imaging equipment 	Available in pull boxes (305m) or non-returnable reel of longer lengths
Dielectric	Polyethylene dielectric		
Shield	Bare Copper or Tinned Copper Braid wire		
Sheath	Black polyvinylchloride or polyethylene		

JIS Standard

Technical changes without notice

Product code	TYPE	Conductor		Insulation		Shield	Jacket		Impedance Ohm	Capacitance nF/km at 1 kHz	Attenuation dB/km at 10 MHz
		No./dia.(mm)	material	Dia.(mm)	material		OD.(mm)	material			
T2815D2V0	1.5D - 2V	7/0.18	BC	1.6	PE	95 % BC Braid	2.9	PVC	50	104	85
T2825D2V0	2.5D - 2V	1/0.8	BC	2.7	PE	95 % BC Braid	4.3	PVC	50	100	45
T2803D2V0	3D - 2V	7/0.32	BC	3	PE	95 % BC Braid	5.3	PVC	50	100	47
T2805D2V0	5D - 2V	1/1.4	BC	4.8	PE	95 % BC Braid	7.3	PVC	50	100	27
T2808D2V0	8D - 2V	7/0.8	BC	7.8	PE	95 % BC Braid	11.1	PVC	50	100	20
T2810D2V0	10D - 2V	1/2.9	BC	9.7	PE	95 % BC Braid	13.1	PVC	50	102	14
T2815C2V0	1.5C - 2V	1/0.26	BC	1.6	PE	95 % BC Braid	2.9	PVC	75	69	96
T2825C2V0	2.5C - 2V	1/0.4	BC	2.4	PE	95 % BC Braid	4	PVC	75	69	52
T2803C2V0	3C - 2V	1/0.5	BC	3.1	PE	95 % BC Braid	5.4	PVC	75	67	42
T2803C2VS	3C - 2VS	7/0.18	BC	3.1	PE	95 % BC Braid	5.4	PVC	75	67	48
T2805C2V0	5C - 2V	1/0.8	BC	4.9	PE	95 % BC Braid	7.4	PVC	75	67	27
T2807C2V0	7C - 2V	7/0.4	BC	7.3	PE	95 % BC Braid	10.4	PVC	75	67	22
T2810C2V0	10C - 2V	7/0.5	BC	9.4	PE	95 % BC Braid	13	PVC	75	67	18

JIS Type Designation

3 C - 2 V S

- S : Strand inner conductor
- V,W : single braid outer conductor
- 2 : Solid PE dielectric core
- C,D : Characteristic Impedance 75 Ohm
- 3 : Approx. diameter of dielectric core