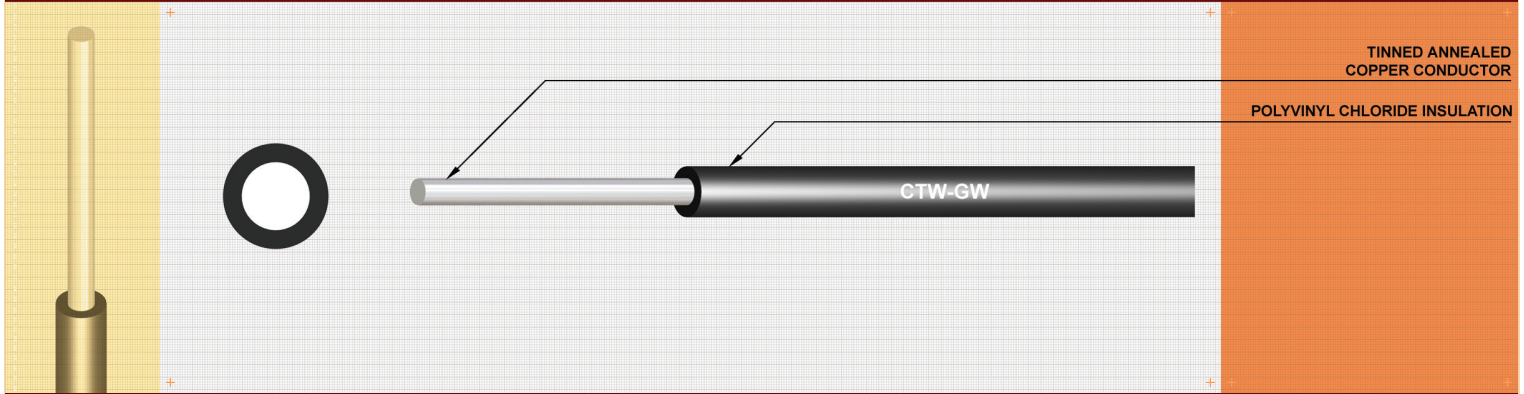




CHAROONG THAI WIRE & CABLE PUBLIC COMPANY LIMITED

CABLE TYPE : **GROUND WIRE (CTW - GW)**

TELEPHONE AND COMMUNICATION CABLE : GROUND WIRE (GW.)



APPLICATION

Application for connecting telephone connector to ground at subscriber premises.

CONSTRUCTION

Conductor Size: 14 AWG(1.6 mm.), 12 AWG (2.0 mm.), 10 AWG.(2.6 mm.), and 6 AWG. (4.1 mm.) solid wire tinned annealed copper.

Insulation Black or Dark grey, Polyvinyl chloride (PVC.)

Identification : Manufacture's name, year of manufacture, Type of cable, Size and number of pair.

Marking Length : Option.

ELECTRICAL CHARACTERISTIC TYPE : GROUND WIRE (GW.)

Product code		T24140000	T24120000	T24100000	T24060000
Conductor Size	AWG.	14	12	10	6
Max. D.C. conductor resistance at 20°C	Ω /km.	9.2	5.6	3.6	1.4
Approximate diameter	mm.	3.2	3.6	4.2	7.3
Approximate weight	Kg/km.	27	38	62	162
Standard length	m.	200/C			