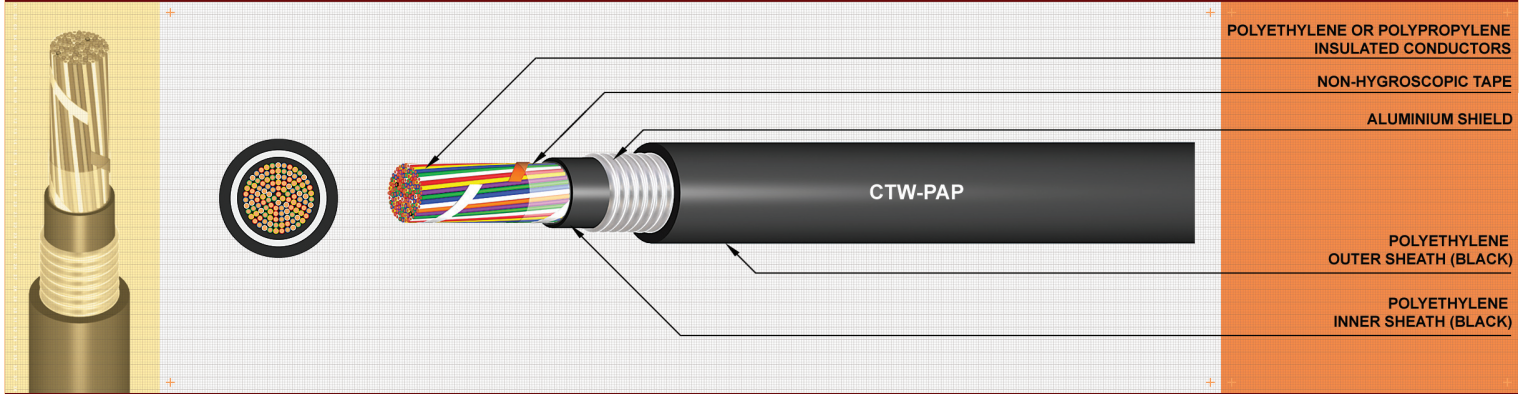




CHAROONG THAI WIRE & CABLE PUBLIC COMPANY LIMITED

CABLE TYPE : **CTW - PAP**

TELEPHONE AND COMMUNICATION CABLE DOUBLE SHEATHED ALPETH SHEATHED CABLE (PAP)



- POLYETHYLENE OR POLYPROPYLENE INSULATED CONDUCTORS
- NON-HYGROSCOPIC TAPE
- ALUMINIUM SHIELD
- POLYETHYLENE OUTER SHEATH (BLACK)
- POLYETHYLENE INNER SHEATH (BLACK)

APPLICATION

For exchange telephone distribution line, direct burial in cable duct.

CONSTRUCTION

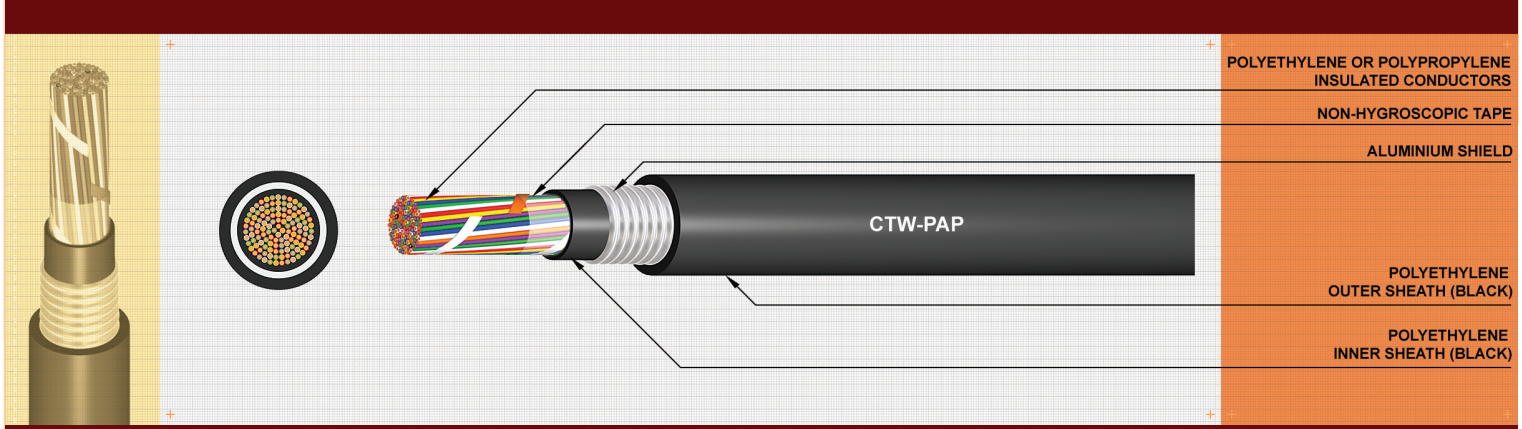
Conductor	Size: 0.4, 0.5, 0.65, and 0.9 mm. , solid annealed copper.
Insulation	Solid high density polyethylene or polypropylene. and colour code in accordance with telephone standard.
Twisted pair	Individual conductor twisted into pairs with varying twist to minimize crosstalk, and specified colour combinations to provide pair identification.
Core assembly	Assembly in unit, each individually identified by colour code units binders. (Unit construction for cables more than 25 pairs. Concentric for cables up to 25 pairs)
Core wrap	Non-hygroscopic dielectric tape applied longitude with and overlap.
Shielding system	Plastic coated aluminum tape. covered by corrugated bare thickness 0.2 mm. Laid on with overlap., applied longitudinally over the core wrap.
Sheath Inner and Outer	Black, low density polyethylene.
Identification	: Manufacture's name, year of manufacture, Type of cable, Size and number of pair.
Marking Length	: Option.



CHAROONG THAI WIRE & CABLE PUBLIC COMPANY LIMITED

CABLE TYPE : CTW - PAP

TELEPHONE AND COMMUNICATION CABLE DOUBLE SHEATHED ALPETH SHEATHED CABLE (PAP)



TYPE : P A P

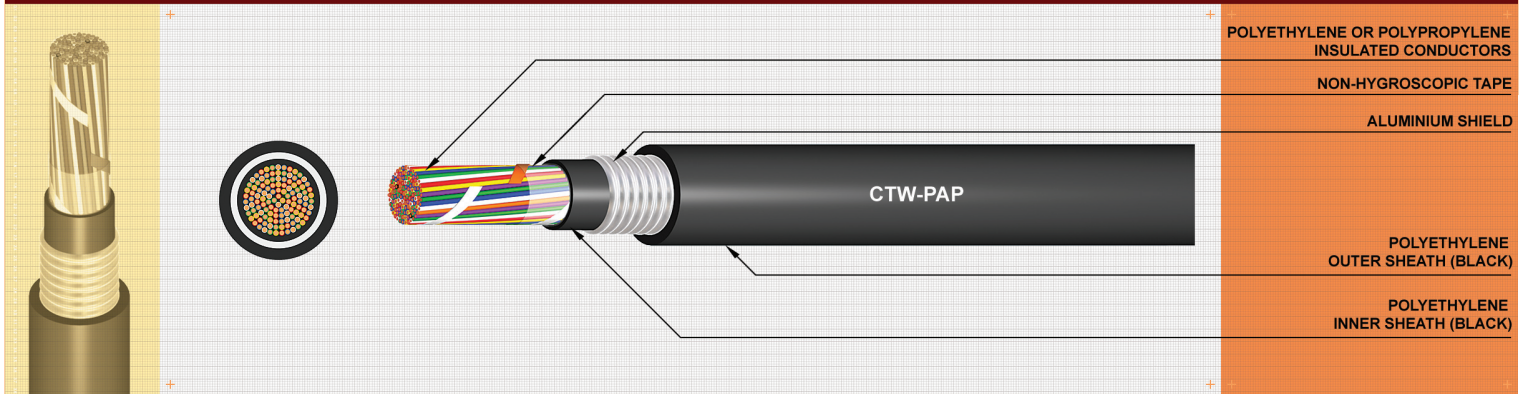
CTW - PAP (0.4 mm)		Number of pairs	Nominal insulation thickness (mm.)	Nominal Sheath thickness (mm.)		Approx. overall diameter (mm.)	Approx. cable weight (kg/km.)	Standard length (m.)
PRODUCT Code	SIZE (mm.)			Inner	Outer			
T15040005	0.4	5	0.16	1.2	1.5	12.0	96	1,000/R
T15040006		6	0.16	1.2	1.5	12.5	100	1,000/R
T15040010		10	0.16	1.2	1.5	13.0	125	1,000/R
T15040012		12	0.16	1.2	1.5	13.5	137	1,000/R
T15040015		15	0.16	1.2	1.5	14.0	152	1,000/R
T15040020		20	0.16	1.2	1.5	15.0	175	1,000/R
T15040025		25	0.16	1.2	1.5	15.5	190	1,000/R
T15040030		30	0.16	1.2	1.5	16.5	219	1,000/R
T15040040		40	0.16	1.2	1.5	17.5	260	1,000/R
T15040050		50	0.16	1.2	1.5	18.5	300	1,000/R
T15040100		100	0.16	1.2	1.5	22.5	490	1,000/R
T15040150		150	0.16	1.2	1.5	25.5	670	500/R
T15040200		200	0.16	1.2	1.5	28.0	845	500/R
T15040300		300	0.16	1.6	1.8	34.0	1,250	500/R
T15040600		600	0.16	1.6	2.0	44.5	2,285	500/R
T15040900		900	0.16	1.8	2.3	53.0	3,340	250/R

C = Packing in coil
R = Packing in reel



CABLE TYPE : **CTW - PAP**

TELEPHONE AND COMMUNICATION CABLE DOUBLE SHEATHED ALPETH SHEATHED CABLE (PAP)



TYPE : P A P

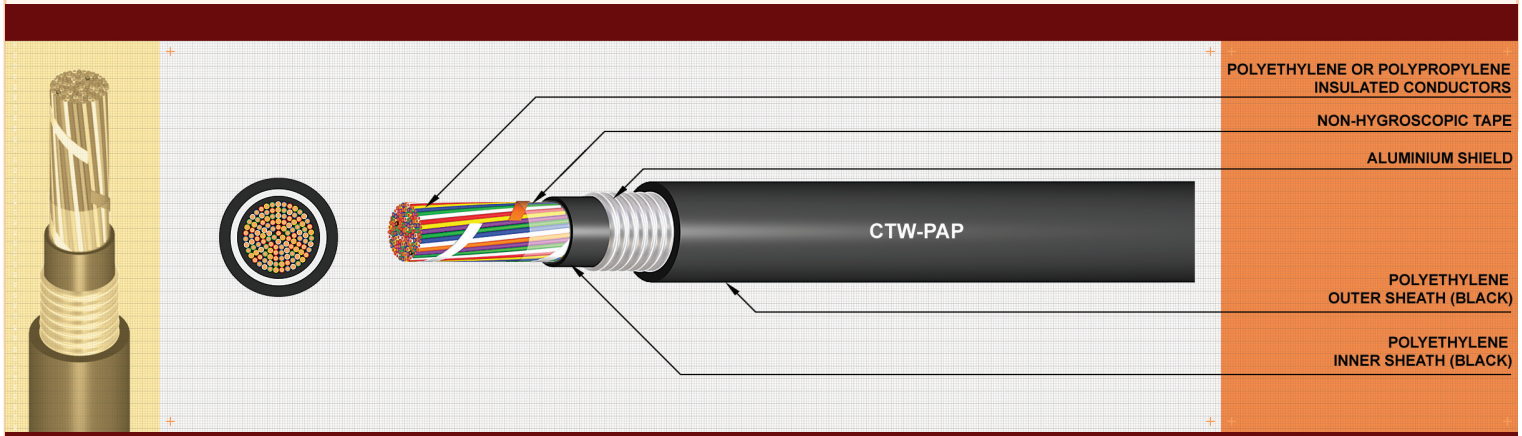
CTW - PAP (0.5 mm)		Number of pairs	Nominal insulation thickness (mm.)	Nominal Sheath thickness (mm.)		Approx. overall diameter (mm.)	Approx. cable weight (kg/km.)	Standard length (m.)
PRODUCT Code	SIZE (mm.)			Inner	Outer			
T15050005	0.5	5	0.21	1.2	1.5	12.5	117	1,000/R
T15050006		6	0.21	1.2	1.5	13.0	126	1,000/R
T15050010		10	0.21	1.2	1.5	14.0	157	1,000/R
T15050012		12	0.21	1.2	1.5	15.0	173	1,000/R
T15050015		15	0.21	1.2	1.5	15.5	194	1,000/R
T15050020		20	0.21	1.2	1.5	16.5	230	1,000/R
T15050025		25	0.21	1.2	1.5	17.5	260	1,000/R
T15050030		30	0.21	1.2	1.5	18.5	294	1,000/R
T15050040		40	0.21	1.2	1.5	20.0	350	1,000/R
T15050050		50	0.21	1.2	1.5	21.0	420	1,000/R
T15050100		100	0.21	1.2	1.5	26.5	705	1,000/R
T15050150		150	0.21	1.6	1.8	32.0	1,050	500/R
T15050200		200	0.21	1.6	1.8	35.0	1,325	500/R
T15050300		300	0.21	1.6	2.0	41.0	1,888	500/R
T15050400		400	0.21	1.6	2.0	46.0	2,415	500/R
T15050600		600	0.21	1.8	2.3	55.0	3,545	250/R
T15050900		900	0.21	2.0	2.5	65.5	5,170	250/R



CHAROONG THAI WIRE & CABLE PUBLIC COMPANY LIMITED

CABLE TYPE : CTW - PAP

TELEPHONE AND COMMUNICATION CABLE DOUBLE SHEATHED ALPETH SHEATHED CABLE (PAP)



TYPE : P A P		Number of pairs	Nominal insulation thickness (mm.)	Normal Sheath thickness (mm.)		Approx. overall diameter (mm.)	Approx. cable weight (kg/km.)	Standard length (m.)
PRODUCT Code	SIZE (mm.)			Inner	Outer			
CTW - PAP (0.65 mm)								
T15060005	0.65	5	0.25	1.2	1.5	14.0	140	1,000/R
T15060006		6	0.25	1.2	1.5	14.5	150	1,000/R
T15060010		10	0.25	1.2	1.5	16.0	200	1,000/R
T15060012		12	0.25	1.2	1.5	16.5	222	1,000/R
T15060015		15	0.25	1.2	1.5	17.5	250	1,000/R
T15060020		20	0.25	1.2	1.5	19.0	305	1,000/R
T15060025		25	0.25	1.2	1.5	20.0	350	1,000/R
T15060030		30	0.25	1.2	1.5	21.0	400	1,000/R
T15060040		40	0.25	1.2	1.5	23.0	495	1,000/R
T15060050		50	0.25	1.2	1.5	24.5	585	1,000/R
T15060100		100	0.25	1.6	1.8	32.5	1,085	500/R
T15060150		150	0.25	1.6	1.8	37.5	1,520	500/R
T15060200		200	0.25	1.6	2.0	42.0	1,960	500/R
T15060300		300	0.25	1.8	2.3	50.5	2,860	250/R
T15060600		600	0.25	2.0	2.5	67.0	5,385	250/R

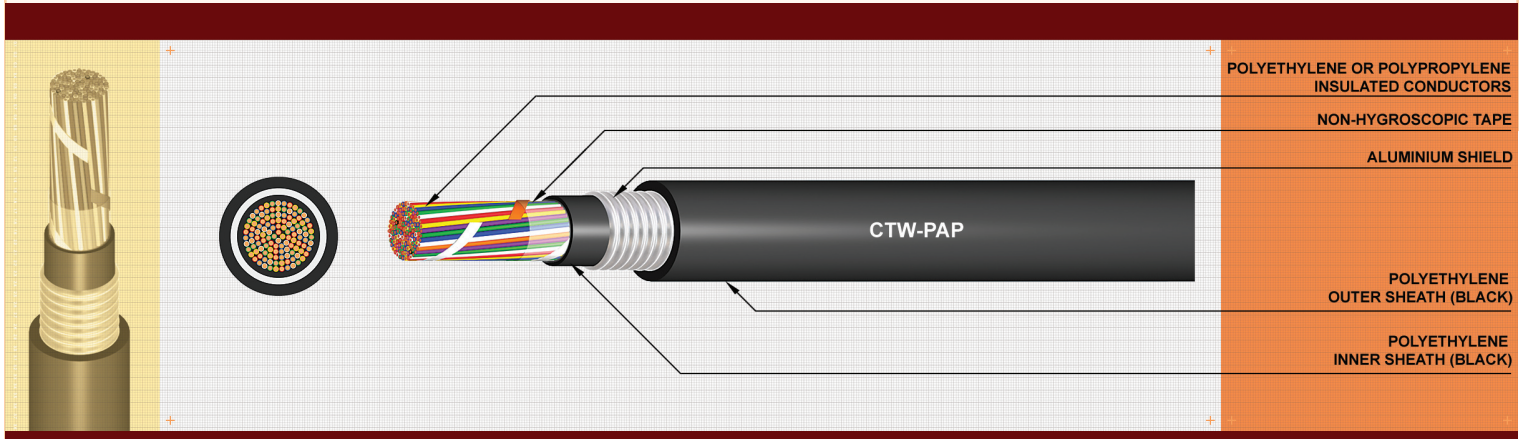
C = Packing in coil
R = Packing in reel



CHAROONG THAI WIRE & CABLE PUBLIC COMPANY LIMITED

CABLE TYPE : **CTW - PAP**

TELEPHONE AND COMMUNICATION CABLE DOUBLE SHEATHED ALPETH SHEATHED CABLE (PAP)



POLYETHYLENE OR POLYPROPYLENE INSULATED CONDUCTORS

NON-HYGROSCOPIC TAPE

ALUMINIUM SHIELD

POLYETHYLENE OUTER SHEATH (BLACK)

POLYETHYLENE INNER SHEATH (BLACK)

TYPE : P A P

CTW - PAP (0.9 mm)		Number of pairs	Nominal insulation thickness (mm.)	Nominal Sheath thickness (mm.)		Approx. overall diameter (mm.)	Approx. cable weight (kg/km.)	Standard length (m.)
PRODUCT Code	SIZE (mm.)			Inner	Outer			
T15090005	0.9	5	0.3	1.2	1.5	16.0	195	1,000/R
T15090006		6	0.3	1.2	1.5	16.5	220	1,000/R
T15090010		10	0.3	1.2	1.5	17.0	300	1,000/R
T15090012		12	0.3	1.2	1.5	19.5	340	1,000/R
T15090015		15	0.3	1.2	1.5	21.0	395	1,000/R
T15090020		20	0.3	1.2	1.5	23.0	490	1,000/R
T15090025		25	0.3	1.2	1.5	24.5	580	1,000/R
T15090030		30	0.3	1.2	1.5	26.0	665	1,000/R
T15090040		40	0.3	1.2	1.5	28.5	840	1,000/R
T15090050		50	0.3	1.6	1.8	32.5	1,070	500/R
T15090100		100	0.3	1.6	2.0	42.0	1,930	500/R
T15090150		150	0.3	1.8	2.3	50.0	2,815	500/R
T15090200		200	0.3	1.8	2.3	56.0	3,620	500/R
T15090300		300	0.3	2.0	2.5	67.0	5,280	250/R
T15090400		400	0.3	2.0	2.8	76.0	6,915	250/R