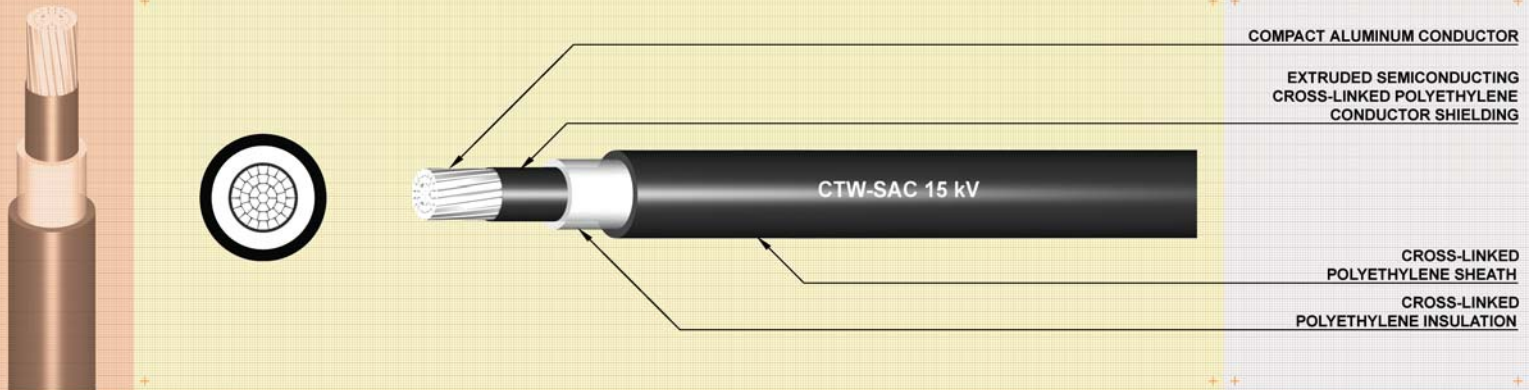




CHAROONG THAI WIRE & CABLE PUBLIC COMPANY LIMITED

CABLE TYPE : CTW-SAC 15 kV

15 kV ALUMINUM STRANDED CONDUCTOR CROSS-LINKED POLYETHYLENE INSULATED AND SHEATHED SPACED AERIAL CABLE



CONSTRUCTION		APPLICATION	CLASSIFICATION
Conductor	Compact stranded hard drawn Aluminum wire.	For use in primary aerial cable on pole. (installed with spacer)	Temperature : - Normal operation 90 °C. - Emergency overload conditions 130°C. - Short circuit conditions 250 °C. - Voltage rating : 15 kV phase to phase.
Conductor Shield	Semi-conducting cross-linked polyethylene.		
Insulation	Cross-linked polyethylene (Natural)		
Sheath	Track resistant cross-linked polyethylene (Black)		
		REFERENCE	AC TEST VOLTAGE
		ICEA S-66-524 / MEA / PEA	27 kV for 5 minutes

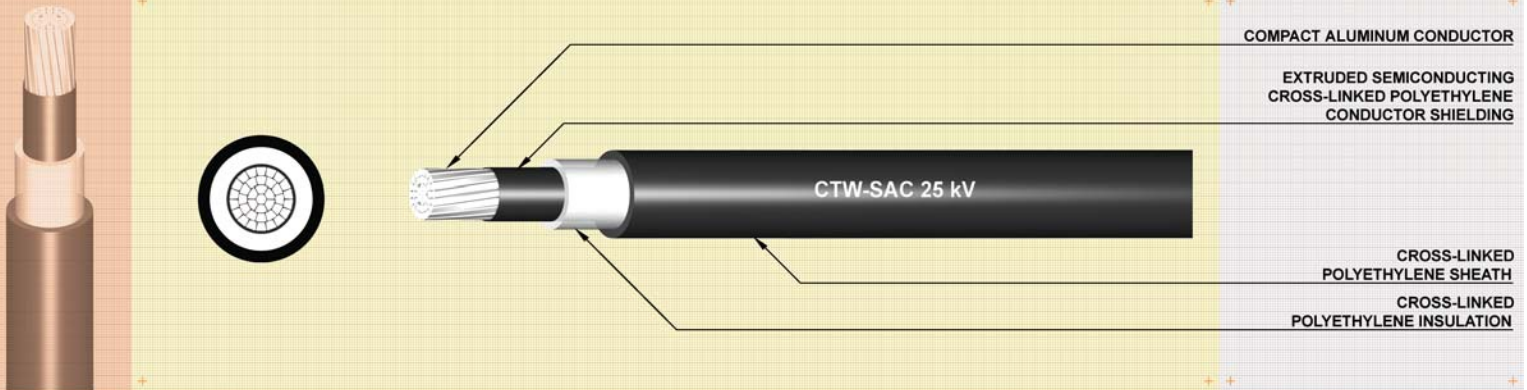
CTW-SAC 15 kV		Nominal sectional area	Minimum number of wire	Diameter of conductor (Approx.)	Thickness of insulation	Thickness of sheath	Overall diameter (Approx.)	Maximum DC. conductor resistance at 20°C	Minimum breaking strength of conductor	Minimum insulation resistance at 15.6°C	Allowable ampacities in free air at 40°C (ambient)	Cable weight (Approx.)	Standard packing
PRODUCT CODE	SIZE core x mm ²	mm ²	No.	mm	mm	mm	mm	Ω/km	N.	M.Ω-km	A	kg/km	m/R
K2K061025	1 x 25	25	6	5.90	1.91	1.91	15.0	1.20	4,120	2,000	120	200	1,000
K2K061035	1 x 35	35	6	6.95	1.91	1.91	16.5	0.868	5,591	1,800	151	250	1,000
K2K061050	1 x 50	50	6	8.33	1.91	1.91	18.0	0.641	7,313	1,600	187	295	1,000
K2K061070	1 x 70	70	12	9.73	1.91	1.91	19.5	0.443	10,420	1,400	231	370	1,000
K2K061095	1 x 95	95	15	11.45	1.91	1.91	21.0	0.320	14,098	1,300	281	470	1,000
K2K061120	1 x 120	120	15	12.95	1.91	1.91	23.0	0.253	18,518	1,200	324	560	1,000
K2K061150	1 x 150	150	15	14.27	1.91	1.91	24.0	0.206	22,457	1,100	375	650	1,000
K2K061185	1 x 185	185	30	15.98	1.91	1.91	26.0	0.164	28,974	1,000	433	770	1,000
K2K061240	1 x 240	240	30	18.47	1.91	1.91	28.0	0.125	37,506	900	525	960	1,000



CHAROONG THAI WIRE & CABLE PUBLIC COMPANY LIMITED

CABLE TYPE : CTW-SAC 25 kV

25 kV ALUMINUM STRANDED CONDUCTOR CROSS-LINKED POLYETHYLENE INSULATED AND SHEATHED SPACED AERIAL CABLE



CONSTRUCTION		APPLICATION	CLASSIFICATION
Conductor	Compact stranded hard drawn Aluminum wire.	For use in primary aerial cable on pole. (installed with spacer)	Temperature : - Normal operation 90 °C. - Emergency overload conditions 130 °C. - Short circuit conditions 250 °C. - Voltage rating : 25 kV phase to phase.
Conductor Shield	Semi-conducting cross-linked polyethylene.		
Insulation	Cross-linked polyethylene (Natural)		
Sheath	Track resistant cross-linked polyethylene (Black)		
		REFERENCE	AC TEST VOLTAGE
		ICEA S-66-524 / MEA / PEA	38 kV for 5 minutes

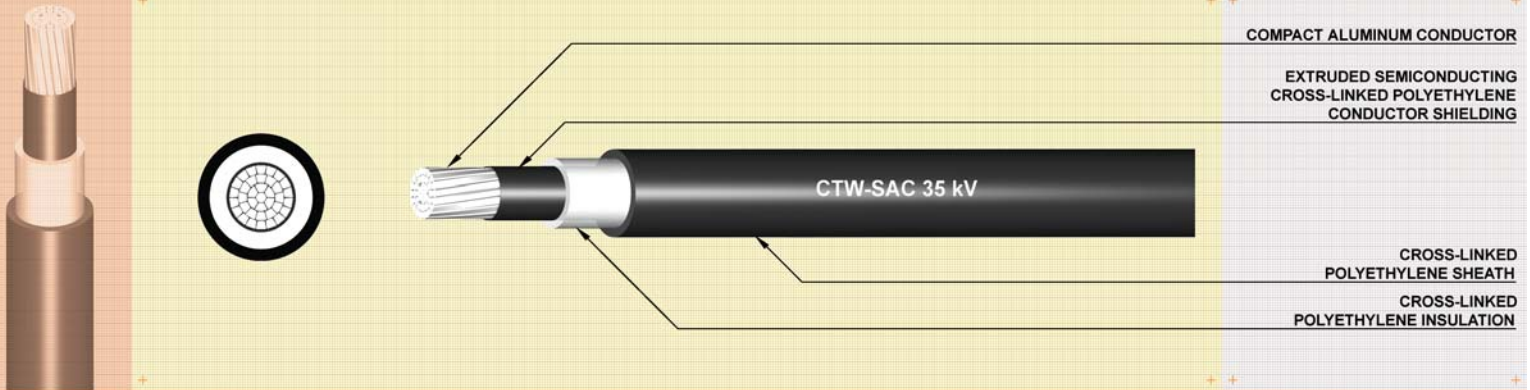
CTW-SAC 25 kV PRODUCT CODE	SIZE core x mm ²	Nominal sectional area	Minimum number of wire	Diameter of conductor (Approx.)	Thickness of insulation	Thickness of sheath	Overall diameter (Approx.)	Maximum DC. conductor resistance at 20°C	Minimum breaking strength of conductor	Minimum insulation resistance at 15.6°C	Allowable ampacities in free air at 40°C (ambient)	Cable weight (Approx.)	Standard packing
		mm ²	No.	mm	mm	mm	mm	Ω/km	N.	M.Ω-km	A	kg/km	m/R
K2M061025	1 x 25	25	6	5.90	3.175	3.175	21.0	1.20	4,120	2,800	119	320	1,000
K2M061035	1 x 35	35	6	6.95	3.175	3.175	22.0	0.868	5,591	2,500	149	390	1,000
K2M061050	1 x 50	50	6	8.33	3.175	3.175	23.0	0.641	7,313	2,250	186	440	1,000
K2M061070	1 x 70	70	12	9.73	3.175	3.175	25.0	0.443	10,420	2,050	229	540	1,000
K2M061095	1 x 95	95	15	11.45	3.175	3.175	26.0	0.320	14,098	1,850	279	640	1,000
K2M061120	1 x 120	120	15	12.95	3.175	3.175	28.0	0.253	18,518	1,700	321	740	1,000
K2M061150	1 x 150	150	15	14.27	3.175	3.175	29.0	0.206	22,457	1,600	371	850	1,000
K2M061185	1 x 185	185	30	15.98	3.175	3.175	31.0	0.164	28,974	1,500	429	990	1,000
K2M061240	1 x 240	240	30	18.47	3.175	3.175	33.0	0.125	37,506	1,300	520	1,190	1,000



CHAROONG THAI WIRE & CABLE PUBLIC COMPANY LIMITED

CABLE TYPE : CTW-SAC 35 kV

35 kV ALUMINUM STRANDED CONDUCTOR CROSS-LINKED POLYETHYLENE INSULATED AND SHEATHED SPACED AERIAL CABLE



CONSTRUCTION		APPLICATION	CLASSIFICATION
Conductor	Compact stranded hard drawn Aluminum wire.	For use in primary aerial cable on pole. (installed with spacer)	Temperature : - Normal operation 90 °C. - Emergency overload conditions 130 °C. - Short circuit conditions 250 °C. - Voltage rating : 35 kV phase to phase.
Conductor Shield	Semi-conducting cross-linked polyethylene.		
Insulation	Cross-linked polyethylene (Natural)		
Sheath	Track resistant cross-linked polyethylene (Black)		
		REFERENCE	AC TEST VOLTAGE
		ICEA S-66-524 / MEA / PEA	49 kV for 5 minutes

CTW-SAC 35 kV		Nominal sectional area	Minimum number of wire	Diameter of conductor (Approx.)	Thickness of insulation	Thickness of sheath	Overall diameter (Approx.)	Maximum DC. conductor resistance at 20°C	Minimum breaking strength of conductor	Minimum insulation resistance at 15.6°C	Allowable ampacities in free air at 40°C (ambient)	Cable weight (Approx.)	Standard packing
PRODUCT CODE	SIZE core x mm ²	mm ²	No.	mm	mm	mm	mm	Ω/km	N.	M.Ω-km	A	kg/km	m/R
K2O061025	1 x 25	25	6	5.90	4.445	3.175	22.5	1.20	4,120	3,100	118	410	1,000
K2O061035	1 x 35	35	6	6.95	4.445	3.175	24.5	0.868	5,591	2,900	148	470	1,000
K2O061050	1 x 50	50	6	8.33	4.445	3.175	25.5	0.641	7,313	2,600	184	530	1,000
K2O061070	1 x 70	70	12	9.73	4.445	3.175	27.5	0.443	10,420	2,400	227	630	1,000
K2O061095	1 x 95	95	15	11.45	4.445	3.175	29.0	0.320	14,098	2,100	276	750	1,000
K2O061120	1 x 120	120	15	12.95	4.445	3.175	31.0	0.253	18,518	2,000	318	850	1,000
K2O061150	1 x 150	150	15	14.27	4.445	3.175	32.5	0.206	22,457	1,800	367	960	1,000
K2O061185	1 x 185	185	30	15.98	4.445	3.175	33.5	0.164	28,974	1,700	425	1,100	1,000
K2O061240	1 x 240	240	30	18.47	4.445	3.175	36.5	0.125	37,506	1,500	515	1,400	1,000