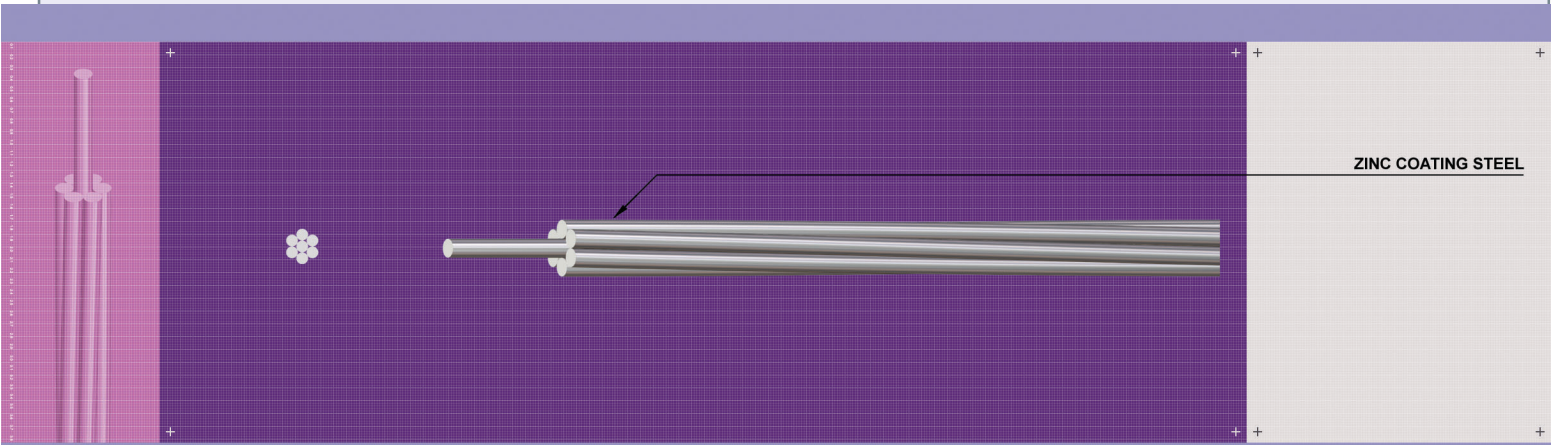




CHAROONG THAI WIRE & CABLE PUBLIC COMPANY LIMITED

CABLE TYPE : CTW-OVERHEAD GROUND WIRE ZINC-COATED STEEL OVERHEAD GROUND WIRE



CONSTRUCTION	APPLICATION	REFERENCE
This specification covers high-strength, extrahigh - strength and utilities grades of concentric lay steel wire strand composed of three wires or seven wires with class A zinc coatings.	For use as overhead ground wires or static wires for electric power transmission line.	* ASTM A-475

Product Code	Nominal diameter of strand. inch.(mm.)	No of wire in strand.	Nominal diameter of coated wire in strand inch.(mm.)	Weight 1b./1000ft (kg/km)	Minimum Breaking strength of strand 1bf. (kN)			Packing m.
					High strength grade	Extra-high strength grade	Utilities grade	
-	5/16 (7.94)	3	0.145 (3.68)	171 (255)	-	-	6,500 (28.9)	2,000/R
-	5/16 (7.94)	7	0.104 (2.64)	205 (305)	8,000 (35.6)	11,200 (49.8)	-	2,000/R
-	3/8 (9.52)	7	0.120 (3.05)	273 (407)	10,800 (48.0)	15,400 (68.4)	11,500 (51.2)	1,500/R
-	7/16 (11.11)	7	0.145 (3.68)	399 (595)	14,500 (64.5)	20,800 (92.5)	-	1,000/R
-	1/2 (12.7)	7	0.165 (4.19)	517 (770)	18,800 (83.6)	26,900 (119.6)	-	1,000/R

C = Packing in coil
R = Packing in reel